



912X/912X-A PGM Garment Rolling Racks w Top Assembling Guide



2 pcs – Base Stand



2 pcs – Holder Rack
(holding Hangrail & Top Rack)



1 pc – Base Rack



2 pcs – Rack Arms



2 pcs – Hangrails



1 pc – Top Rack



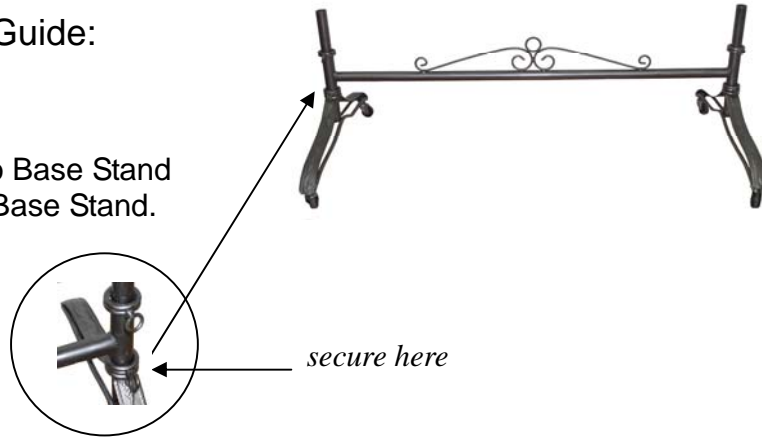
2 pcs – Extension arm racks



Install Instruction Guide:

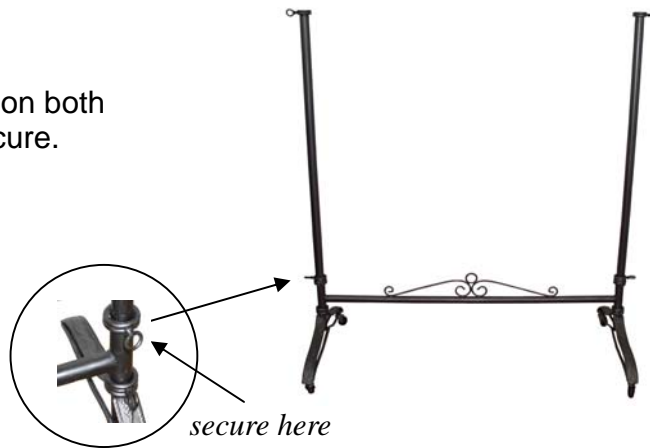
Step 1

Insert Base Rack into Base Stand and secure on each Base Stand.



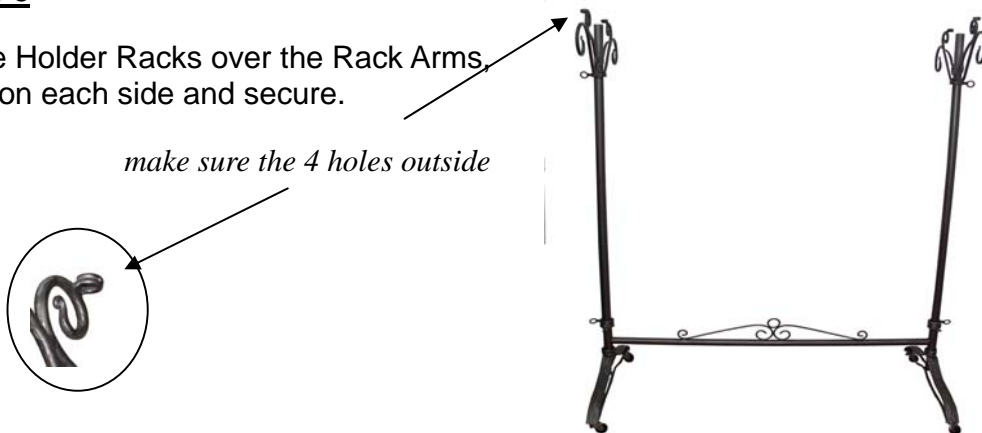
Step 2

Insert Rack Arms into holes on both sides of Base Stand and secure.



Step 3

Slide Holder Racks over the Rack Arms, one on each side and secure.





Step 4

Slide Extension Arm Racks over the Holder Racks, one on each side and secure.



Step 5

Fix the Top Rack into the Holder Racks.



Step 6

Install 2 Hangrails on.



**Congratulations !!!
Installation Complete.**